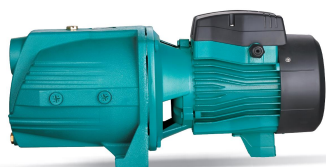


AJm (<1 kW) Selbstansaugende Gusseisenpumpe (<1 kW)



Application

- Übertragung von klarem Wasser oder anderen Flüssigkeiten, chemisch und physikalisch vergleichbar mit Wasser
- Geeignet zum Pumpen in einen Brunnen, automatische Gartenbewässerung, Überdruck von Wasser usw.

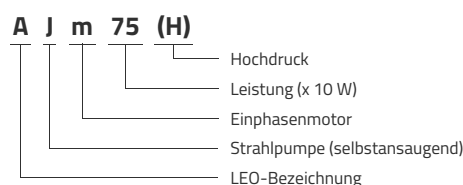
Pompe

- Spezielle Korrosionsschutzbehandlung (Kataphorese) für den Pumpenkörper aus Gusseisen und den Träger
- Turbine aus Edelstahl
- Welle aus Edelstahl AISI 304
- Maximale Flüssigkeitstemperatur: + 40 ° C
- Maximale Saughöhe: 8 m

Moteur

- Integrierter Wärmeschutz für Einphasenmotoren
- Isolationsklasse: F
- Schutzklasse: IPX4
- Maximale Umgebungstemperatur: + 40 ° C.

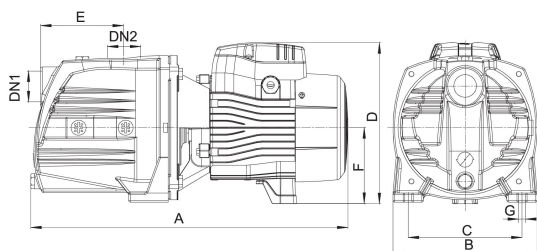
Identifikationscodes



Technische Daten

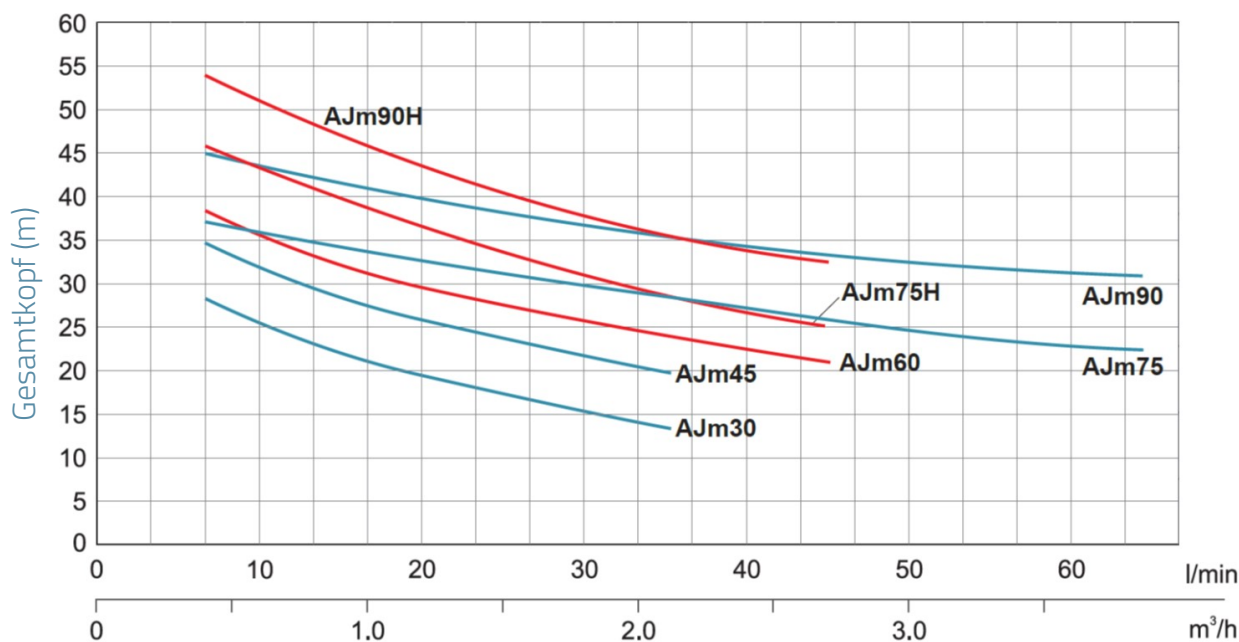
| MODEL | kW | Q (m³/h) | 0 | 0.3 | 0.6 | 0.9 | 1.2 | 1.5 | 1.8 | 2.1 | 2.4 | 2.8 | 3 | 3.3 | 3.6 | 3.9 |
|-------------------------------|------|-----------|----|-----|-----|------|-----|------|-----|-----|------|-----|----|-----|-----|-----|
| | | Q (l/min) | 0 | 5 | 10 | 15 | 20 | 25 | 30 | 35 | 40 | 47 | 50 | 55 | 60 | 65 |
| AJm30 | 0.3 | | 35 | 30 | 26 | 22.5 | 20 | 18 | 16 | 14 | | | | | | |
| AJm45 | 0.45 | | 41 | 36 | 32 | 28 | 25 | 22 | 20 | 18 | | | | | | |
| AJm60 | 0.6 | | 45 | 41 | 37 | 33.5 | 31 | 28.5 | 26 | 24 | 22.5 | 21 | | | | |
| AJm75 | 0.75 | | 40 | 38 | 36 | 34.5 | 33 | 31.5 | 30 | 29 | 28 | 27 | 26 | 25 | 24 | 23 |
| AJm75A (With pressure vessel) | 0.75 | | 40 | 38 | 36 | 34.5 | 33 | 31.5 | 30 | 29 | 28 | 27 | 26 | 25 | 24 | 23 |
| AJm75E (With pumpcontrol) | 0.75 | | 40 | 38 | 36 | 34.5 | 33 | 31.5 | 30 | 29 | 28 | 27 | 26 | 25 | 24 | 23 |
| AJm75H | 0.75 | | 51 | 47 | 43 | 40 | 37 | 34.5 | 32 | 30 | 27.5 | 25 | | | | |
| AJm90 | 0.9 | | 48 | 46 | 44 | 42.5 | 41 | 39.5 | 38 | 36 | 35 | 34 | 33 | 32 | 31 | 30 |
| AJm90A (With pressure vessel) | 0.9 | | 48 | 46 | 44 | 42.5 | 41 | 39.5 | 38 | 36 | 35 | 34 | 33 | 32 | 31 | 30 |
| AJm90E (With pumpcontrol)) | 0.9 | | 48 | 46 | 44 | 42.5 | 41 | 39.5 | 38 | 36 | 35 | 34 | 33 | 32 | 31 | 30 |
| AJm90H | 0.9 | | 62 | 57 | 53 | 49 | 46 | 43 | 40 | 37 | 35 | 33 | | | | |

Maße



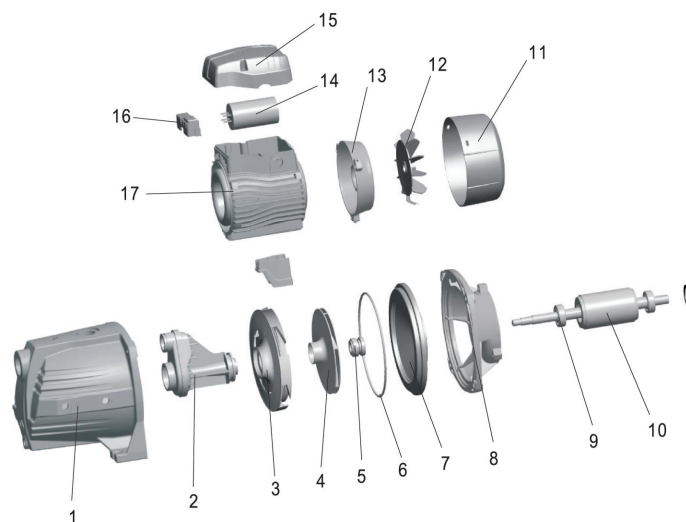
| MODEL | DN1 | DN2 | A | B | C | D | E | F | G |
|-------------------------------|-----|-----|-----|-----|-----|-----|------|-----|----|
| AJm30 | 1 | 1 | 358 | 160 | 105 | 180 | 89.5 | 90 | 10 |
| AJm45 | 1 | 1 | 358 | 160 | 105 | 180 | 89.5 | 90 | 10 |
| AJm60 | 1 | 1 | 418 | 190 | 150 | 212 | 113 | 100 | 10 |
| AJm75 | 1 | 1 | 418 | 190 | 150 | 212 | 113 | 100 | 10 |
| AJm75A (With pressure vessel) | | | | | | | | | |
| AJm75E (With pumpcontrol) | | | | | | | | | |
| AJm75H | 1 | 1 | 418 | 190 | 150 | 212 | 113 | 100 | 10 |
| AJm90 | 1 | 1 | 418 | 190 | 150 | 212 | 113 | 100 | 10 |
| AJm90A (With pressure vessel) | | | | | | | | | |
| AJm90E (With pumpcontrol)) | | | | | | | | | |
| AJm90H | 1 | 1 | 418 | 190 | 150 | 212 | 113 | 100 | 10 |

Hydraulische Leistung



Explosionszeichnung

| No. | Type | Materialien |
|-----|---------------------------------------|-----------------------|
| 1 | Pumpenkörper | Gusseisen HT200 |
| 2 | Venturi-Rohr | noryl (PPO) |
| 3 | Streamer | noryl (PPO) |
| 4 | Turbine | Edelstahl AISI 304 |
| 5 | Gleitringdichtung | Kohlenstoff / Keramik |
| 6 | Körperdichtung | Nitrilkautschuk (NBR) |
| 7 | Pumpenboden | Edelstahl AISI 304 |
| 8 | Laterne | Edelstahl AISI 304 |
| 9 | rollen | |
| 10 | Rotor | |
| 11 | Lüfterabdeckung | Polypropylen |
| 12 | Ventilator | Polypropylen |
| 13 | hintere Lagerunterstützung des Motors | Aluminiumguss ZL102 |
| 14 | Kondensator | |
| 15 | Klemmenkasten | Abs |
| 16 | Klemmenblock | |
| 17 | Stator | |



Packaging

| MODEL | Gewicht (kg) | Länge L (mm) | Breite W (mm) | Höhe H (mm) |
|-------------------------------|--------------|--------------|---------------|-------------|
| AJm30 | 9.2 | 390 | 185 | 215 |
| AJm45 | 10.15 | 390 | 185 | 215 |
| AJm60 | 14.35 | 455 | 215 | 245 |
| AJm75 | 15.5 | 455 | 215 | 245 |
| AJm75A (With pressure vessel) | 0 | 0 | 0 | 0 |
| AJm75E (With pumpcontrol) | 0 | 0 | 0 | 0 |
| AJm75H | 15.5 | 450 | 215 | 245 |
| AJm90 | 16.45 | 455 | 215 | 245 |
| AJm90A (With pressure vessel) | 0 | 0 | 0 | 0 |
| AJm90E (With pumpcontrol) | 0 | 0 | 0 | 0 |
| AJm90H | 16.45 | 450 | 215 | 245 |

